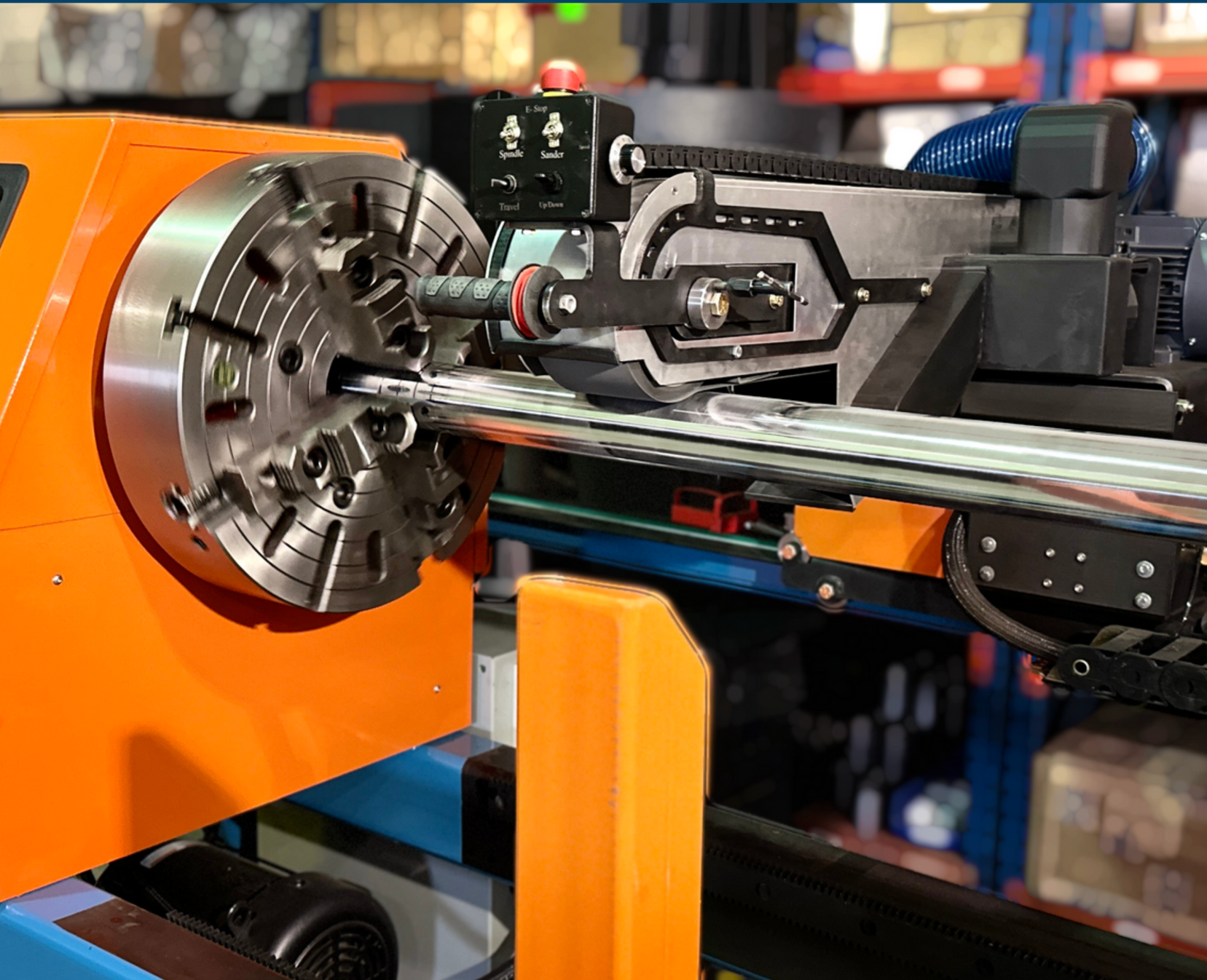




HYDRAULITECHS



ROD POLISHER





ROD POLISHER

AUTOMATIC/MANUAL FEED SYSTEM

APR-24 /MPR-24

Our rod polishers come in two distinct models to meet various needs: Fully Automated, APR-24 and Manual, MPR-24. The Fully Automated Rod Polisher is designed for high efficiency and precision, offering automated control and minimal manual intervention, perfect for large-scale operations. The Manual Rod Polisher provides more hands-on control and is ideal for smaller workshops or specialized applications where flexibility and precision are required.

APR-24 (AUTOMATIC MODEL) CAPABILITIES

APR24 Rod polisher is a high-quality, reliable machine designed for efficient and precise polishing of rods. It features a manual and automatic Full PLC/VFD system, providing greater flexibility and ease of use. With a 10 horsepower, VFD controlled 1,750 RPM PMAC motor as the spindle drive, 3 horsepower, 3600 RPM sander drive and ¼ horsepower DC variable motor as the sander head travel drive, this machine allows for easy adjustment of the RPM of the rod, from 0 RPM to 300 RPM.

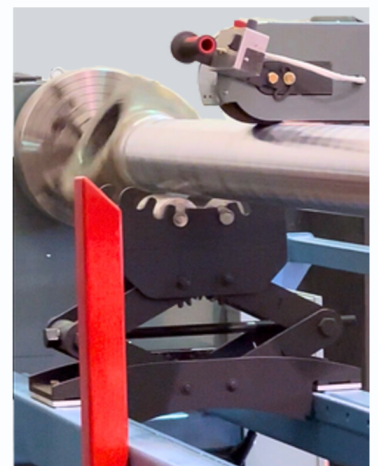




ROD POLISHER BENEFITS

APR-24

- **Efficient and Precise:**
The APR24 is designed for efficient and precise polishing of rods, ensuring consistent results every time.
- **Safe and User-Friendly**
The machine features adjustable limit switches and rollers for safety, as well as an easy-to-use control panel.
- **Versatile**
The frequency drive and adjustable sanding belt make this machine versatile for various polishing and repair jobs.



WHO CAN BENEFIT FROM ROD POLISHER

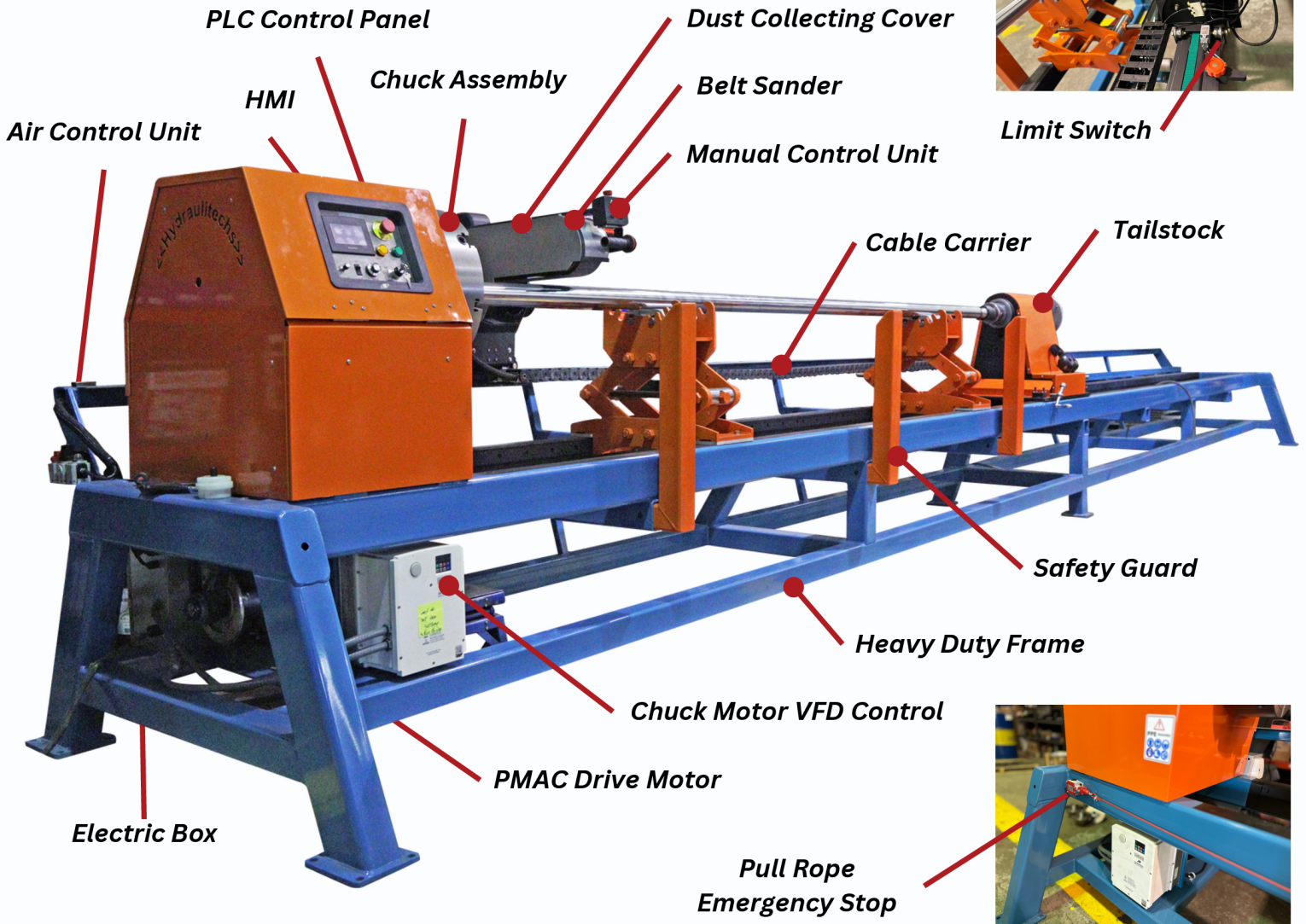
Mining, oil and gas, forestry, marine, Hydraulic shops and construction industry benefit from the HONIX-WS.





ROD POLISHER FEATURES

APR-24



APR-24 (AUTOMATIC) FEATURES

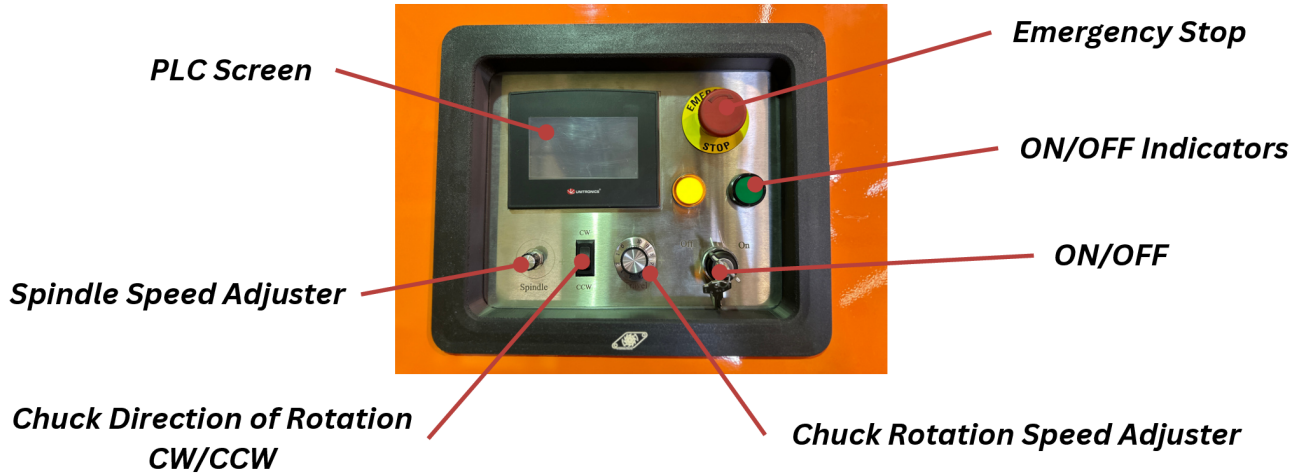
- Polishing Head
- Dust Collecting Cover
- Position Adjustment Limit Switch
- Electro Pneumatic Sander Engagement
- Electrical Cabinet / Control Cabinet
- Automatic / Manual Feed System
- Cycle Counter Control
- Sander Pressure Control
- Manual and Automatic full PLC/VFD System
- Emergency Stops and safety guards
- Optional fire proof dust collector vacuum with filtration system





ROD POLISHER SPECIFICATIONS

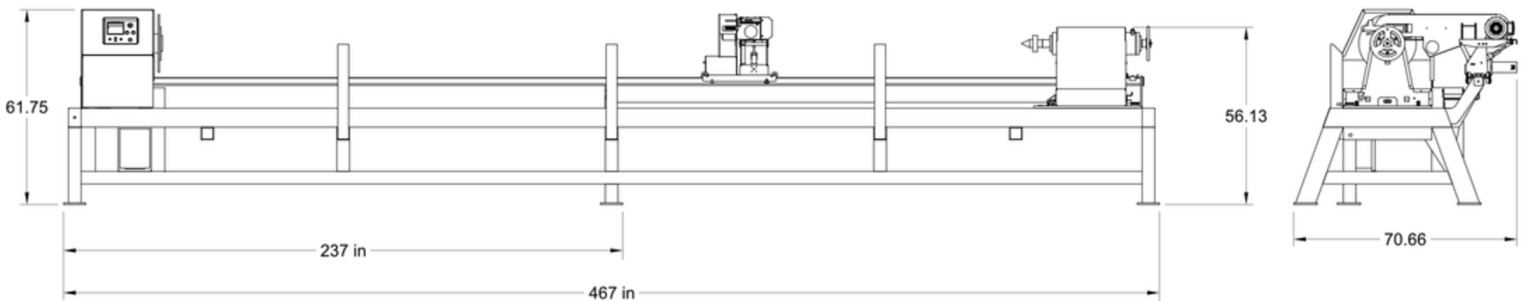
APR-24 , AUTOMATIC



MACHINE DIMENSIONS:

- ROD POLISHER TOTAL LENGTH:
MODEL APR-2429 FT

- MACHINE HIGHT 64 IN
- MACHINE WIDTH 71 IN



-All dimensions are in inches

CONSUMABLES:

- ELECTRICAL BOX and PLC CONTROL PANEL
 - FUSE 6A
 - FUSE 3A

- SANDER BELT
 - 4" * 90" ALUMINUM OXIDE SANDER BELT
- AIR CONTROL UNIT
 - AIR SYSTEM LUBRICATION OIL





ROD POLISHER SPECIFICATIONS

APR-24 , AUTOMATIC

TECHNICAL SPECIFICATIONS:

- VOLTAGE 380-440 V, 3 ph., 60 HZ
- AMP 20 AMP
- MAX LENGTH OF ROD 20 ft
- MIN LENGTH OF ROD 18 inch
- MAX EXTERNAL RODDIAMETER 15 inch
- MIN EXTERNAL ROD DIAMETER 1 inch
- MAX ROD WEIGHT 10,000 lb
- MAX WIDTH OF EYE ON ROD 12.5 inch
- MAX DIAMETER OF EYE ON ROD 24 inch

CHUCK

- MODEL GATOR20"
- DIAMETER 20 inch
- NUMBER OF JAWS 4 INDEPENDENT
- BELTS 2 B102

SPINDLE MOTOR

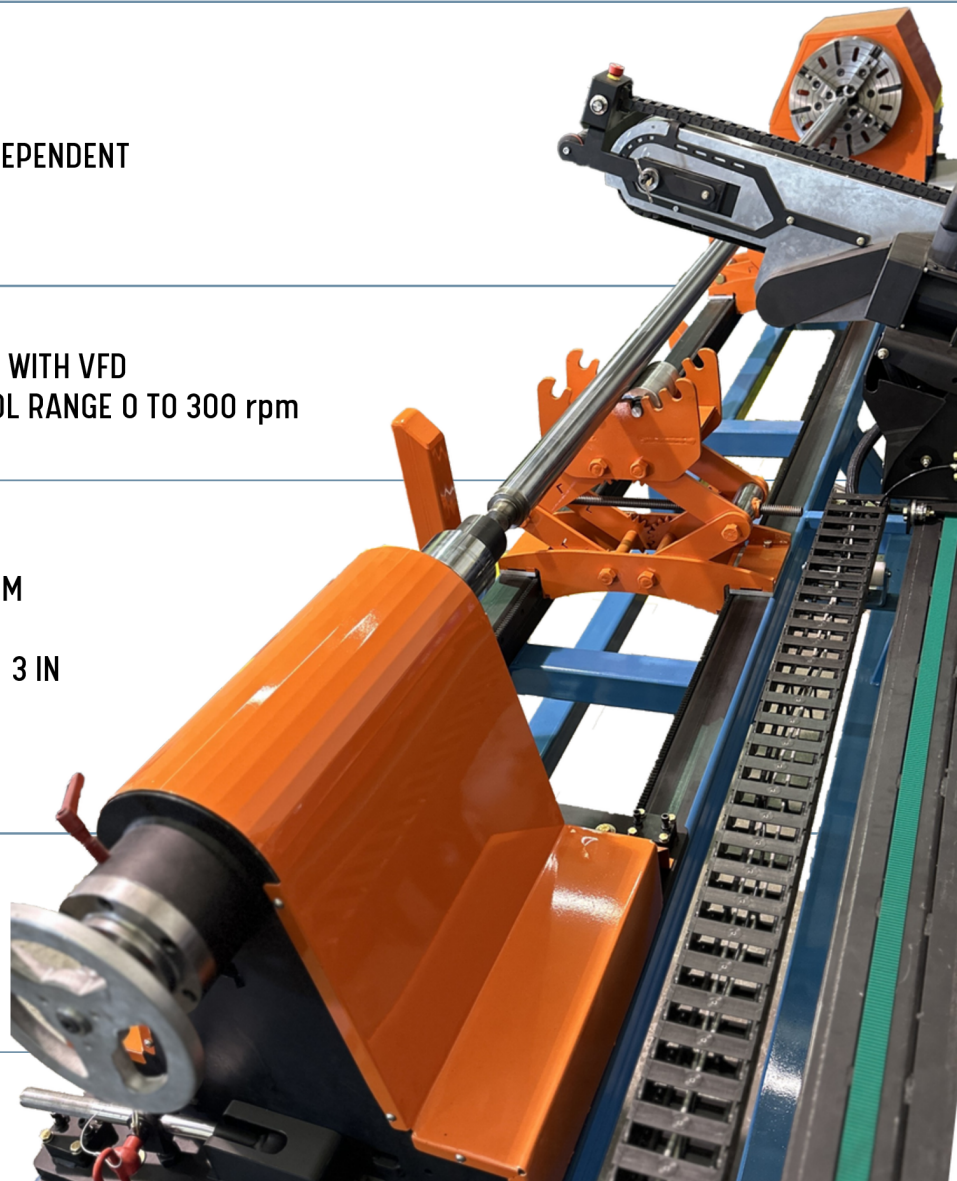
- VOLTAGE PMAC 10 hp WITH VFD
- SPINDLE SPEED CONTROL RANGE 0 TO 300 rpm

SANDER

- MOTOR 3 HP, 3450 RPM
- SAND BELT WIDTH 4 IN
- DUST COLLECTION PIPE 3 IN
- SAFETY COVER YES

TAIL STOCK

- SIZE OF #6
- ADJUSTABLE YES
- LOCKING SYSTEM YES





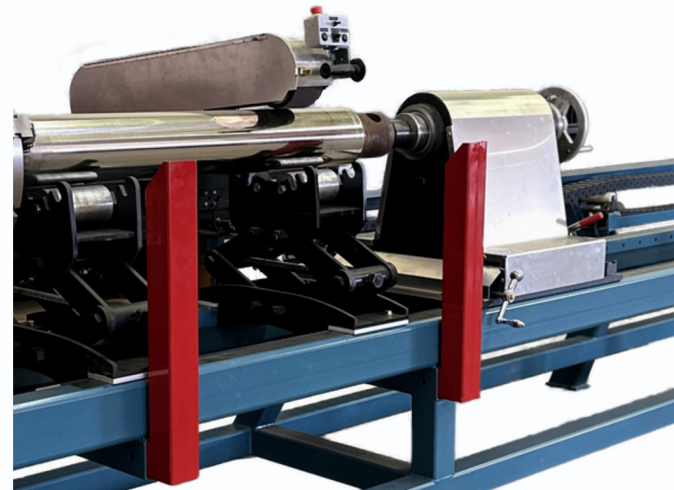
ROD POLISHER MANUAL MODEL FEATURES

MPR-24

The MPR24 is a high-quality, user-friendly manual machine. It features a VFD system for precise control, powered by a 2/5 hp, 1750 rpm AC motor for the spindle drive. Additionally, it includes a 3 hp, 3600 rpm motor for the sander drive. The VFD allows for easy adjustment of the rod's RPM from 0 to 300, providing flexibility and efficiency in operation.

MPR-24 (MANUAL) FEATURES

- Polishing Head
- Dust Collecting Cover
- VFD System
- Emergency Stops and safety guards



ROD POLISHER SPECIFICATIONS

MPR24, MANUAL

TECHNICAL SPECS:

- VOLTAGE 380-440 V, 3 ph., 60 HZ
- AMP 20 AMP
- MAX LENGTH OF ROD 15 ft
- MIN LENGTH OF ROD 18 inch
- MAX EXTERNAL ROD DIAMETER 10 inch
- MIN EXTERNAL ROD DIAMETER 1 inch
- MAX ROD WEIGHT 2,000 lb
- MAX WIDTH OF EYE ON ROD 8 inch
- MAX DIAMETER OF EYE ON ROD 8 inch

SPINDLE MOTOR

- VOLTAGE AC MOTOR 2/5 hp WITH VFD
- SPINDLE SPEED CONTROL RANGE 0 TO 300 rpm

SANDER

- MOTOR 3 hp, 3450 rpm
- SAND BELT WIDTH 4 inch
- DUST COLLECTION PIPE 4 inch
- SAFETY COVER YES
- 4" * 90" ALUMINUM OXIDE SANDER BELT

TAIL STOCK

- SIZE OF #4
- ADJUSTABLE YES
- LOCKING SYSTEM YES

CHUCK

- MODEL GATOR20"
- DIAMETER 16 inch
- NUMBER OF JAWS 4 INDEPENDENT
- BELTS 2 B102

MACHINE DIMENSIONS:

- ROD POLISHER TOTAL LENGTH:
MODEL MPR-2420 ft
- MACHINE HIGHT 64 inch
- MACHINE WIDTH 71 inch





HYDRAULITECHS

contact@hydraulitechs.com



www.hydraulitechs.com

+1-306-683-1960

2215 Faithfull Ave, Saskatoon, SK S7K1T8, Canada

